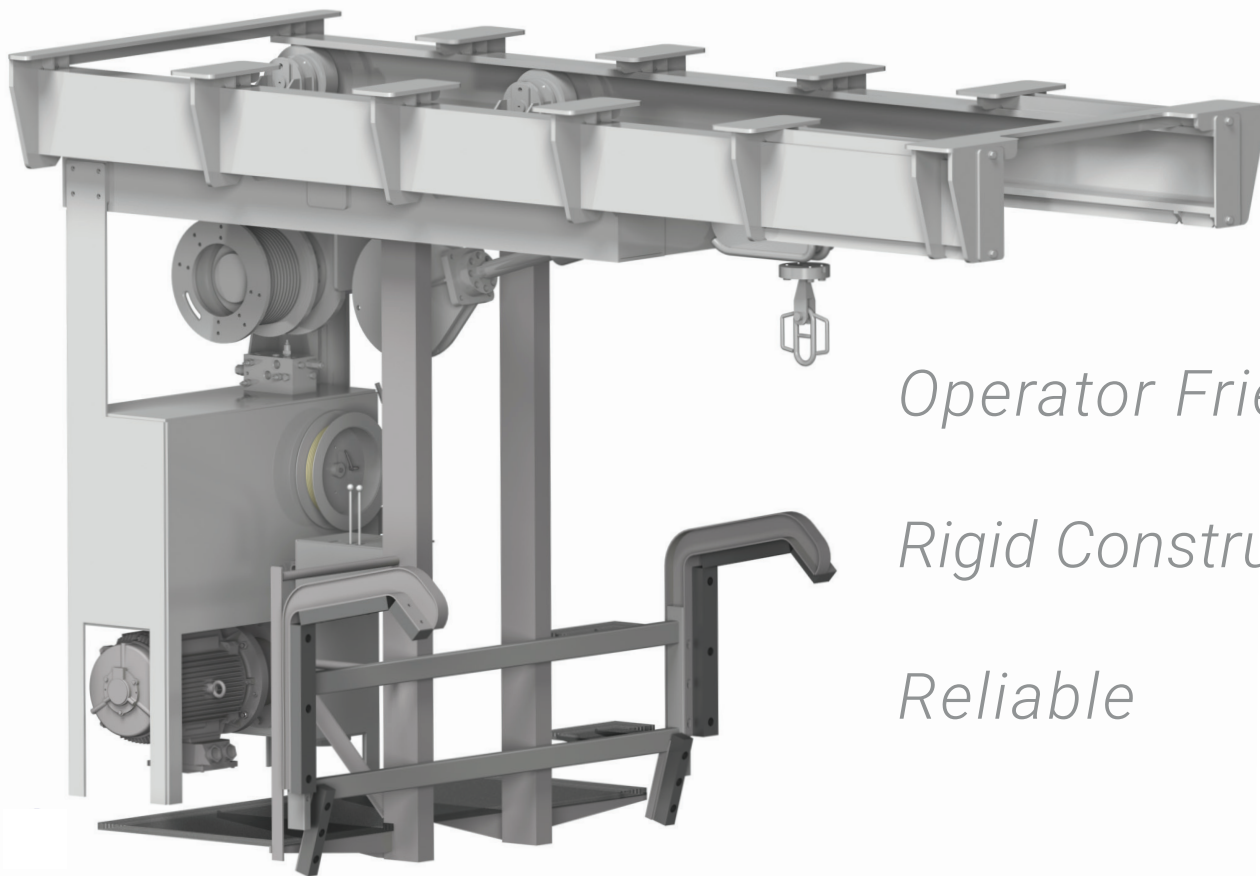


RED ROCK

TELESCOPIC
RESCUE BOAT DAVIT
RDT36-RDT60

MARINE



Operator Friendly

Rigid Construction

Reliable

www.redrock.no



Barstølveien 50, 4636 Kristiansand, Norway

RDT36-RDT60 Telescopic Rescue Boat Davits

RDT36 and RDT60 davits are developed for handling of Fast Rescue Boats (FRC) for marine and offshore vessels, and are special designed with a main purpose to be mounted into a ships recess area. Whether it involves SOLAS safety related requirements, or additional customized requirements, the RDT36 and RDT60 davits can be equipped to perform the task.

RDT36 and RDT60 davits can be supplied with a range of options depending on operational requirements. The unit features a ridged fixed frame construction for welding into the ships recess roof and a movable unit which moves the FRC from parked position to lowering position. A cradle integrated in davit structure secures safe operation and stable parking of the FRC. The davit is designed considering optimizing service and maintenance procedures. The davit winch and sliding movements are operated from a control stand on the movable unit. Start/stop and emergency stop are also at the movable unit.

MAIN OPERATIONAL DATA	RDT36	RDT60
Lifting capacity (SWL)	3 600 kg	6 000 kg
Hoisting and Lowering speed	0-48 m/min	0-48 m/min
Weight, dry without load	~3 900kg	~5 500 kg
Voltage, main motor	380/440/690V - 50/60 Hz	
Paint system.	3 layer of total 200 my dft, top coat RAL 9016.	
Starter with accessories.	Direct-On-Line. Star Delta/soft starter on request.	
Control Stand	On davit.	
HPU	Integrated in davit.	

Available Options

- Constant Tension system acting as wave compensator.
- Shock absorbing cylinder for smooth handling of the Rescue Boat.
- Pivot Towing Boom for handling painter line from Rescue Boat.
- Davit operating hatch in ship side for protection

Documentation

EC Type – Examination Certificate, issued by DNV.
EC Declaration of Conformity, issued by DNV.
Red Rock TM Workshop Test Report, witnessed by DNV.
Red Rock TM Declaration of Conformity
LSA-Code, SOLAS 74 and HSC Code.
Wheel Mark Certification.

Alternative Products

Red Rock TM provides Rescue boat Davits (A-frame) for lifting capacity (SWL) from 3.6T up to 6.0.0T.
Red Rock TM provides Work Boat Davits for lifting capacity (SWL) from 6.0T up to 15.0T.
Red Rock TM provides Daughter Craft Davits for lifting capacity (SWL) from 8.0T up to 12.0T.

Red Rock is an international company that provides products and services in segments like Industry, Offshore, Marine, IT and Telecom. We strive to continuously improve design and quality in close cooperation with customer demands and in compliance with current regulations. Our staff consists of both highly educated and experienced employees with technically competent background.

